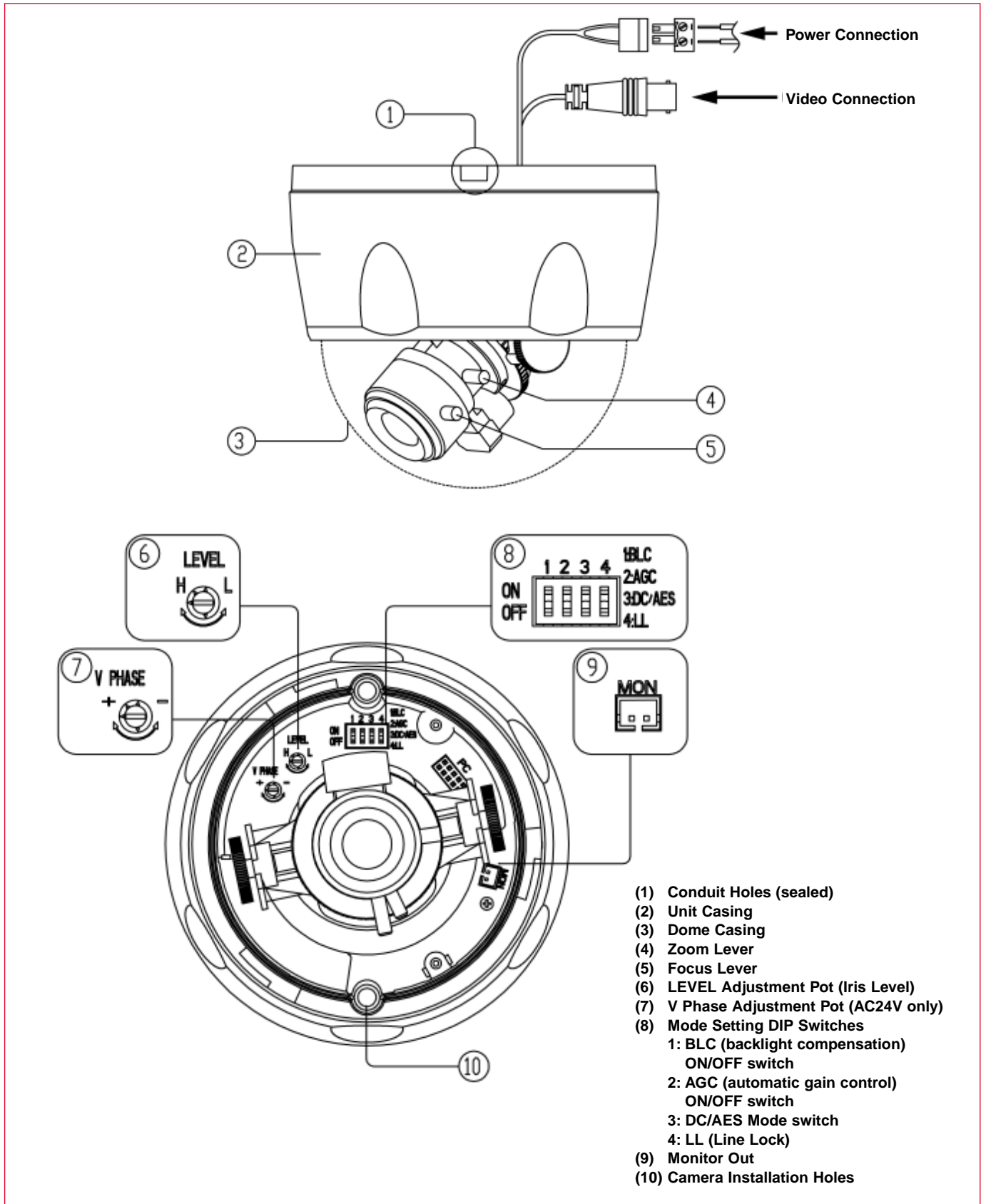




Spartan Internal Vari-Focal Domes



Connection & Adjustment Details



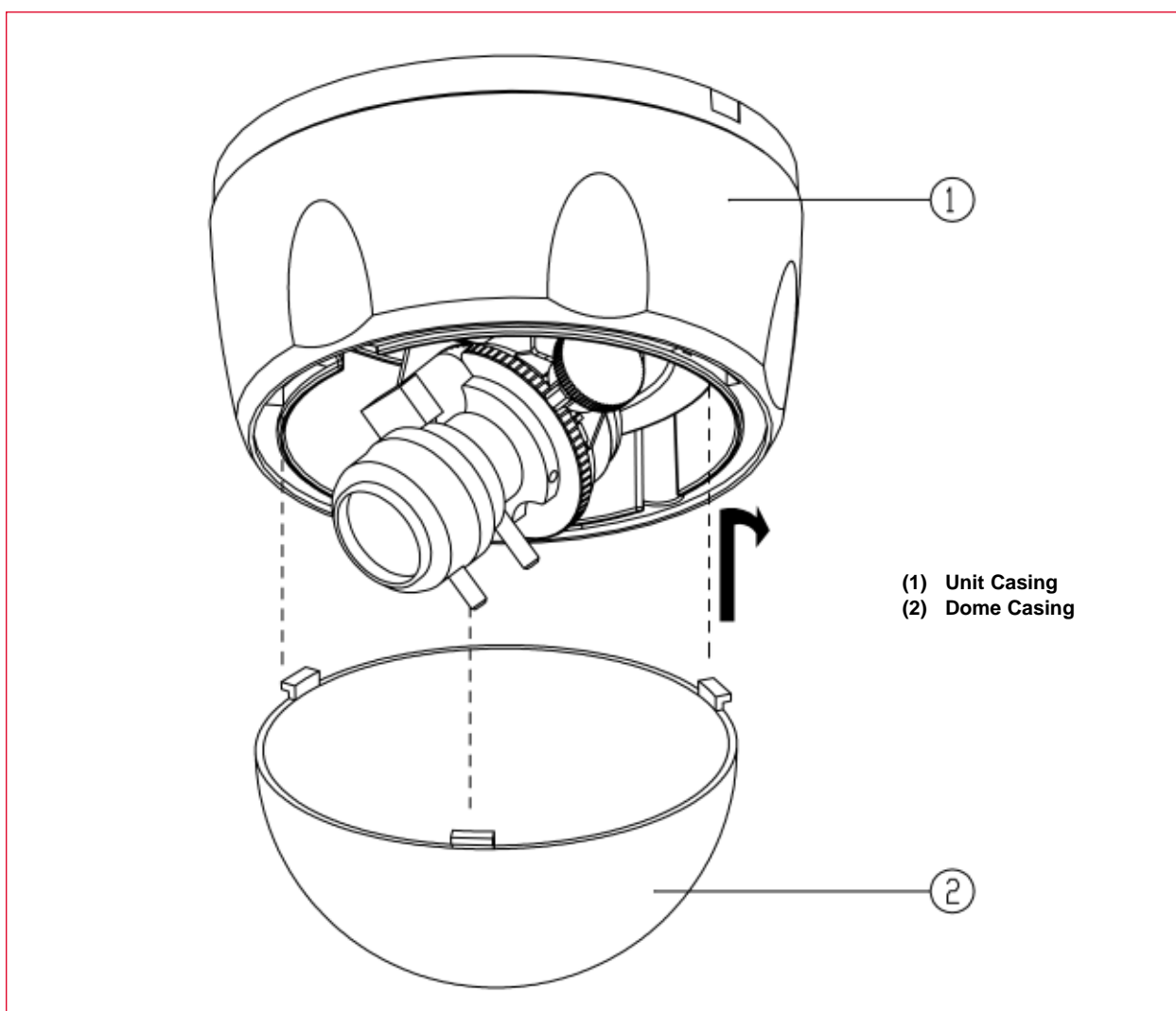
www.vantagecctv.com

Distributor details



Spartan Internal Vari-Focal Domes

- **Simple to install**
- **Available in Colour (VSC480) & Monochrome (VSM600)**
- **High resolution output (480 TVL VSC480) (600 TVL VSM600)**
- **1/4" Advanced CCD technology**
- **Vari-focal, auto iris, direct drive, manual lens**
- **12VDC/24VAC operating voltage**
- **3 year warranty**
- **Clear acrylic available as an option**
- **Switchable back light compensation**
- **Vertical phase adjustment**



Spartan Internal Vari-Focal Domes

Item	Specification	VSM600	VSC480
Image Area	3.7mm x 2.7mm	*	*
Pickup Element	752(H) x 582(V) Pixels, 1/4" Interline Transfer CCD	*	*
Scanning System	2:1 Interlace V: 50Hz, H: 15.625KHz	*	*
Sync System	Internal / Linelock Selectable (AC Only)	*	*
Video Output	1.0 Vpp, 75 Ohms, negative sync	*	*
Resolution	600 TV Lines (Horizontal)	*	
	480 TV Lines (Horizontal)		*
Gamma Correction	0.45	*	*
Minimum Illumination	0.2 Lux (F1.4, AGC ON, 50 IRE, W/O Cover)	*	
	0.6 Lux (F1.4, AGC ON, 50 IRE, W/O Cover)		*
S/N Ratio	More than 50dB (AGC OFF)	*	*
Power Source	DC12V & AC24V (50Hz +/- 10%)	*	*
Power Consumption	3 Watts (Max)	*	
	3.5 Watts (Max)		*
Ambient	30% ~ 90% RH / -10 ~ +50 degree C	*	*
Dimensions	110 mm x 96 mm	*	*
Weight	Approx 300g (Net), Approx 500g (Gross)	*	*
Backlight Comp	ON / OFF Switchable (Centre Weighting)	*	*
White Balance	Auto Trace White balance (2400°~ 10000° K)		*
Aperture Correction	ON	*	*
Auto Gain Control	Average AGC ON/OFF	*	*
Iris Control	Built-in Auto DC Iris driver	*	*
Focal length	f = 2.8 ~ 5.8	*	*
Max Relative Aperture	F1.4 ~ 1.8 Auto Iris	*	*
View Angle	Horizontal: 76.7° (wide) -38.2° (tele) Vertical: 56.8° (wide) -28.7° (tele)	*	*
Min Object Distance	0.2m	*	*
Supplied Accessories	Screws TP4*15 (2) Anchors (2) Service BNC Lead (1) Instruction Manual (1) Guide Pattern (1)	*	*

The technical specifications are subject to change without notice.