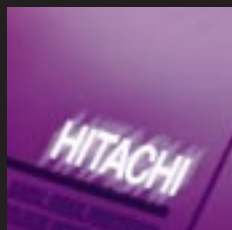
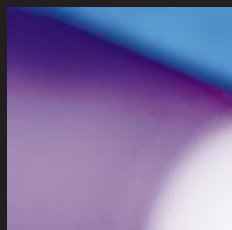




Digital signal processing CCTV colour camera

- Built-in F1.2 X2.5 optical varifocal lens with auto iris
- Easy to install, easy to connect and easy to use
- AC24V (50Hz) or DC12V operation
- Highly sensitive $\frac{1}{4}$ " CCD pickup reproduces images with detail and clarity
- 2H vertical enhancer makes captured images clear and stable
- Advanced Hitachi features like backlight compensation, auto-white balancing and OSD picture control



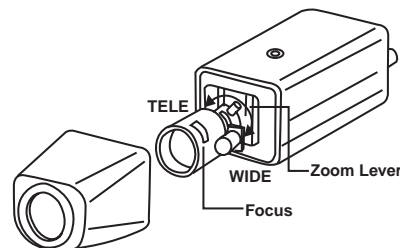
HITACHI

more than hitech

VK-C307E Technical Specifications

VIDEO	
Signal Format	PAL composite 1.0v.p.p.
System	2:1 interlaced
Frequency	Horizontal: 15.625kHz Vertical: 50Hz
PICKUP SENSOR	
CCD Image Sensor	Interline 1/4inch type
Total Number of Pixels	537(H) x 597(V)
Effective Pixels	500(H) x 582(V)
LENS	
Lens	F1.2 f=2.4-6.0mm
Variable Focal Length	X2.5
DIGITAL SIGNAL PROCESSOR	
Signal Processing	Digital Signal Processor (Hitachi DSP3R)
Sync System	Internal or external (line lock-24VAC only)
Luminance S/N	>50dB
Sensitivity	1 lux F1.2 wide angle AGC mode HIGH 2 lux F1.2 wide angle AGC mode NORM
VIDEO OUTPUT	
Video Output	1.0Vp-p
Horizontal Resolution	>330 TVL
POWER	
Power Requirement	3.0W (max)
Power Input	AC24V, 50Hz, DC12V
PHYSICAL SPECIFICATIONS	
Dimensions (WxHxD)	64 x 58 x 152mm
Weight	370g
OPERATING AND STORAGE CONDITIONS	
Ambient Temperature	-10(C) - 50(C)
Humidity	10% - 85%

All brand or product names are trademarks or registered trademarks of their respective owners. Design and specifications are subject to change without notice.



A built-in F1.2 varifocal lens allows the user to monitor the scene from variable viewing angles, ranging from wide to telephoto.

High sensitivity

Highly sensitive 14" CCD pickup reproduces pictures with detail and clarity thanks to Hitachi DSP (Digital Signal Processor).

Picture control by OSD

On-screen display to set picture control functions by menus.

Auto/manual-white balance

In addition to auto-white balance, white balance can be adjusted manually by gain control of R (red) and B (blue) on the OSD.

Adjustable shutter modes

On the AE Iris mode, the electronic shutter automatically adjusts to the light condition. In the manual mode, the shutter speed can be set in nine steps, from 1/50 to 1/30,000 seconds.

Camera ID

Up to eight characters can be set as identification using 47 alphanumeric characters. You can also select User Adjustable ID display position on the screen.

Digital zoom

The built-in optical varifocal lens magnifies a subject up to 2.5 times. In combinations with a digital zoom function, it is possible to magnify up to 5 times total. NB. When the digital magnification is larger, the horizontal and vertical resolution will be down.

Backlight compensation

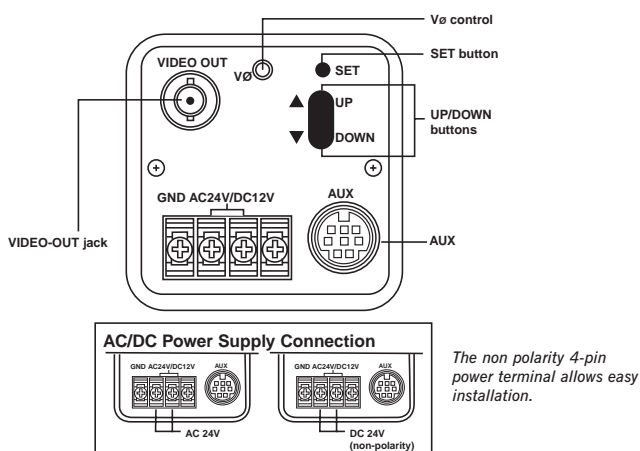
Even with strong incidental light, a backlight compensation area can be selected from six divided areas on the screen so that the subject will not be too dark.

Other features

Negative/positive switching function; automatic gain control (AGC); internal/external sync.



Hitachi Information Media Group, Dukess Meadow, Millboard Road, Bourne End, Bucks., SL8 5XF, U.K.
Tel: +44 (0) 1628 643000
Fax: +44 (0) 1628 643400



HITACHI

more than hitech