

EX48 Conical No-Grip Camera

The **EX48 CONICAL NO-GRIP** model is a patent applied design for use wherever it is important that any object, animal or person must not be able to hang, perch or grip on the camera itself.

It is considered to be an essential specification camera for use in hospitals or prisons where there is the possibility of suicide attempts and 24 hour surveillance monitoring is required.

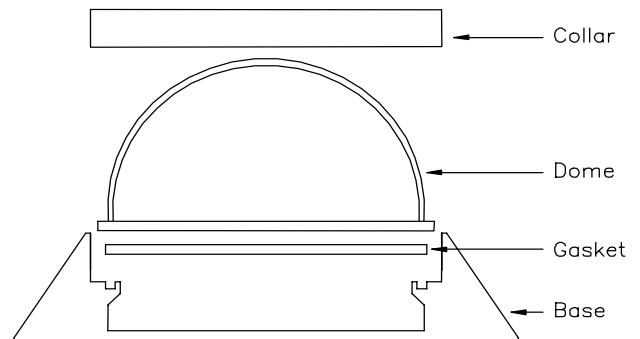
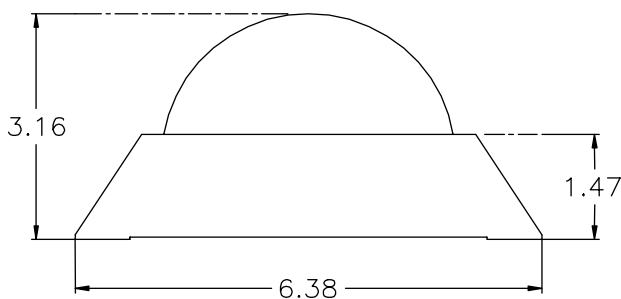
The attractive finish of the anodized EX48 also makes this very rugged camera the choice for elegant hotels and public buildings.

The EX48 Conical No-Grip Dome is hammer tough, weather tight, and power protected. The impact resistant EX48 can be surface installed in minutes to all interior and exterior walls and ceilings.

- Patent (applied) Conical No-Grip shape prevents hanging and promotes safety
- Slick hi-tech anodized aluminum design
- Tough Polycarbonate Dome – low distortion come
- VRB Power Protected for 12 VDC or 24 VAC operation
- Mono / Color / Quattro and LXR models available.



Above: The slick hi-tech EX48 Conical No-Grip™ is virtually impossible to grip with one or two hands.



Dealer / Distributor :

Global HQ: www.ExtremeCCTV.com

USA / Canada: 4060 McConnell Drive, Burnaby, BC Canada V5A 3A8
Toll Free N.A. 888-409-2288 Tel. +1.604.420.7711 **Fax** +1.604.420.3300

EX48 General Specifications (Other CCD Models available)

Certifications	UL 50, UL 2044, CSA C22.2 No. 1, CSA Type 4 / NEMA 4X	
Model	EX48C.304 (DSP Color w/BLC)	EX48S.304 (Backlight)
TV System	NTSC (PAL optional)	EIA (CCIR optional)
Image Sensor	1/3" CCD Color DSP Image Sensor	1/3" CCD Sony Image Sensor
Video Signal Output	1 V p-p, 75 ohm	1 V p-p, 75 ohm
CCD Effective Pixels	510 (H) x 492 (V) – NTSC	510 (H) x 492 (V)
Sync. System	Internal	Internal
Min. Illumination	3 lux @ F1.4 / 6 lux @ F2.0	0.05 lux @ F1.4 / 0.1 lux @ F2.0
Resolution	380 TV lines	410 TV Lines
S/N Ratio	>46 dB	>50 dB
Electronic Shutter	1/60 to 1/100,000 – NTSC	1/60 to 1/100,000 – NTSC
Gamma Correction	0.48	0.48
Backlight Compensation	Automatic	N/A
Gain Control	AGC	AGC
Operational Range	-30°C to +40°C (-22°F to 104°F)	N/A
Power Supply	DC 12-24V DC or AC	DC 12-24V DC or AC
Power Draw	200 mA (Max., @ 12VDC)	100 mA (Max.)
Lens (standard)	3.6mm, F2.0 wide angle lens	3.6mm, F1.8 wide angle lens
Lenses (Optional)	2.5 / 2.9 / 6.0 / 8.0 / 12 / 16 mm	2.5 / 2.9 / 6.0 / 8.0 / 12 / 16 mm
Dome	Polycarbonate	Polycarbonate
Base / Cover	CNC Anodized Aluminum	N/A
Dimensions	6.38" (162 mm) dia. / 3.16" (80 mm)H	6.38" (162 mm) dia. / 3.16" (80 mm)H
Weight	2.1 lbs (950 grams)	1.5 lbs
Line Lock	Available	Available

Part Numbers:
Standard Monochrome

EX48S.3xx	Sony CCD 420 line w/ BLC, 12/24 VRB / micro-lens
EX48S.6xx	Sony CCD 600 line, 12/24 VRB / micro-lens

Standard Color

EX48C.3xx	Color DSP, 1/3" CCD 380 line w/ BLC, 12/24 VRB / micro-lens
EX48C.7xx	Color DSP, 1/3" CCD 480 line w/BLC, 12/24 VRB/, micro-lens

LXR Extended Infrared Sensitive

EX48SX.4xx	Mono DSP 1/3" CCD SX400 LXR, 380 TVL, BLC, 12/24 VRB/ micro-lens
------------	--

XX – Specifies lens provided at time of order

03 - 2.9 mm	06 - 6.0 mm	12 - 12.0 mm
04 - 3.6 mm	08 - 8.0 mm	16 - 16.0mm

Options:

EXPS.001	Power Supply, 12 VDC, 1.0 amp, w/ 2.1 mm plug connector
EXPS.002	Power Supply, 12 VDC, 0.5 amp, w/ 2.1 mm plug connector

Dealer / Distributor :

Global HQ: www.ExtremeCCTV.com
USA / Canada: 4060 McConnell Drive, Burnaby, BC Canada V5A 3A8
Toll Free N.A. 888-409-2288 Tel. +1.604.420.7711 **Fax** +1.604.420.3300